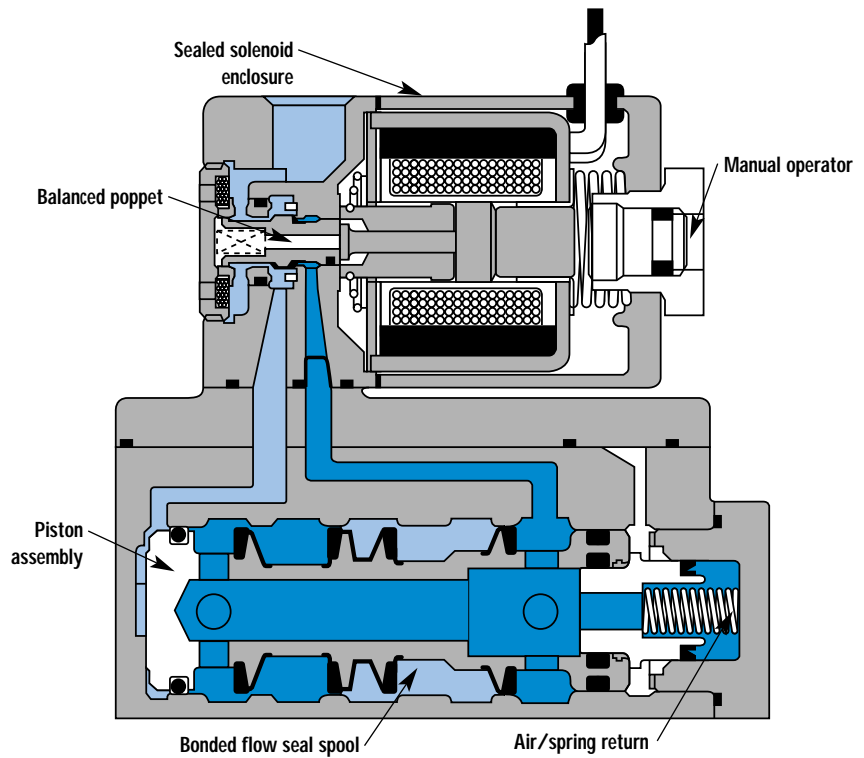


Individual mounting

inline

Manifold mounting

stacking



SERIES FEATURES

- The patented MACSOLENOID® with its non-burn out feature on AC service.
- Air/spring return on single solenoid valves.
- Use for lube or non-lube service.
- Optional low wattage DC solenoids down to 1 watt.
- Various types of manual operators and electrical enclosures.



100%
OF
PRODUCTION
TESTED
100%

WARRANTY
18
MONTHS

VALVE CONFIGURATIONS AVAILABLE

The 900 Series is a small Inline 4-way valve with a Cv of up to 1.4. This series provides fast response, long life and high flow not commonly found in this size valve.

- 2-Pos., single or double operator (solenoid or remote air).
- Individual body or stacking body models.
- Manual and mechanical operators available

SERIES FEATURES-REMOTE AIR PILOT OPERATED VALVES

The remote air versions feature:

- Air/spring return on single remote air valves
- Use for lube or non-lube service.
- Optional remote air pilot, pilot operated models available when application requires a pilot signal below the main valve pressure.

SPECIAL APPLICATIONS:

On all models, energizing the "A" operator (solenoid or remote air) supplies pressure to cylinder port "A" and energizing the "B" operator supplies pressure to cylinder port "B". For the following special applications, additional piping considerations are required.

VACUUM APPLICATIONS (remote Air Models Only)-Connect the vacuum source to the Exhaust port and leave the Inlet open to atmosphere. Also specify MOD 158 which provides a heavy duty spring in lieu of air/spring.

SELECTOR APPLICATIONS-When using as a selector valve, connect the higher pressure to the Inlet port and the lower pressure to the Exhaust port. On solenoid models, the Inlet pressure must be a minimum of 25 PSI on singles or 10 PSI on doubles.



Direct solenoid and solenoid pilot operated valves

Function	Port size	Flow (Max)	Individual mounting
4/2	1/8" - 1/4"	1.2 C _v	inline

OPERATIONAL BENEFITS

- Balanced spool, immune to variations of pressure.
- Short stroke with high flow.
- Large spool area provides maximum shifting forces.
- Powerful return force thanks to the combination of mechanical and air springs.
- Bonded spool with minimum friction, shifting in a glass-like finished bore.
- Wiping effect eliminates sticking.
- Pilot valve with balanced poppet, high flow, short and consistent response times.
- Long service life.



HOW TO ORDER

Port size	Single operator	Double operator
1/8" NPTF	911B-PM- XXYZZ	921B-PM- XXYZZ
1/4" NPTF	912B-PM- XXYZZ	922B-PM- XXYZZ

SOLENOID OPERATOR ►

XX Y ZZ*

XX Voltage	Y Manual operator	ZZ Electrical connection
11 120/60, 110/50	1 Non-locking	JB Rectangular connector
12 240/60, 220/50	2 Locking	JD Rectangular connector with light
22 24/50, 24/60		JA Square connector
59 24 VDC (2.5 W)		JC Square connector with light
87 24 VDC (17.1 W)		BA Flying leads (18")
61 24 VDC (8.5 W)		CA Conduit 1/2" NPS

