

# Specifications

## 69 Series Valve

**Fluids:**

Air or Inert Gas

**Lubrication:**

Not required. But if used, a medium aniline range oil is recommended

**Safe Operating Ambient Temperature Range:**

0°F to 120°F (-18°C to 50°C)

**Electrical:**

AC 120 and 24 (Rectified)

DC 12/24: 5.4 to 1.8 Watts

General purpose Class A, continuous duty, encapsulated coils.

Class F coils available on request

**Pressure Range:**

Vacuum to 120 PSI (external pilot supply provided for vacuum and low pressure)

20 PSI minimum operating pressure on internal pilot

	Main Valve	Pilot
Internal Pilot	20-120	N/A
External Pilot	VAC-120	20-120

**Selector Applications:**

Connect the higher pressure to the #1 port and the lower pressure to the #3 port. The higher pressure must be at least 20PSI, otherwise an external pilot supply is required.

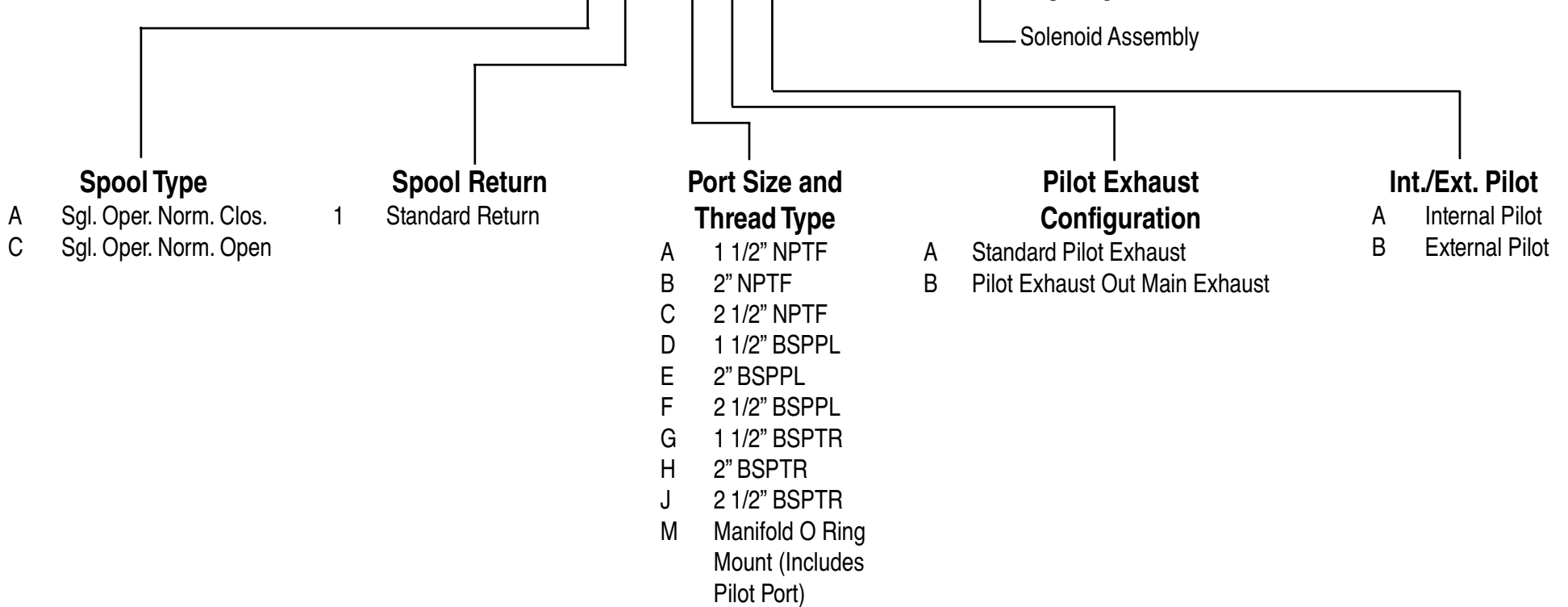
**Vacuum Applications:**

Use an external pilot model and connect the vacuum source to the #3 port. The #1 port may be left open to atmosphere, or connected to pressure to provide a vacuum/pressure valve.

**Flow (Cv):** Up to 60.0

# How To Order 69 Series Valve

**69A - X X - X X X - JXXX XXX(-G)**

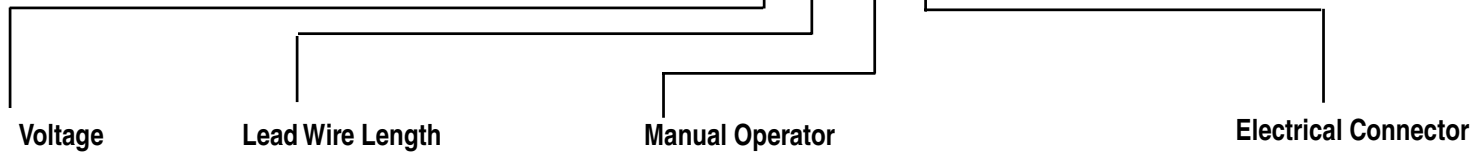


## EXAMPLES

69A-A1-AAA-DJA0-1KA  
69A-C1-BAA-JAAA-1GG

# How to Order Solenoid Assembly For 69 Series

**JXX X - X XX(-G)** Add Letter "G" For Ground



AA\* 120 VAC (5.4W)  
AC\* 24 VAC (5.4W)  
DA 24 VDC (5.4W)  
DB 12 VDC (5.4W)  
DC 24 VDC (2.4W)  
DD 12 VDC (2.4W)  
DE 24 VDC (1.8W)  
DF 12 VDC (1.8W)

\* Note: AC voltage requires connector with rectifier

0 No Lead Wires  
A 18 Inches  
B 24 Inches  
C 36 Inches  
D 48 Inches  
E 72 Inches  
F 96 Inches

Note: Use "0" No Lead Wires For "J", "K" and "L" Type Electrical Connectors.

0 No Operator  
1 Non Locking Recessed  
2 Locking Recessed  
3 Non Locking Extended  
4 Locking Extended

BA Flying Leads  
GA MAC JAC Solenoid Plug In  
GB MAC JAC Solenoid Plug In With Diode  
GC MAC JAC Solenoid Plug In With MOV  
GD MAC JAC Solenoid Plug In With LED  
GE MAC JAC Solenoid Plug In With Diode and LED  
GF MAC JAC Solenoid Plug In With MOV and LED  
GG MAC JAC Solenoid Plug In With Rectifier  
GH MAC JAC Solenoid Plug In With Rectifier and LED

## External Plug-In Connectors

JB Rectangular Connector  
JD Rectangular Connector With Light  
JN Rectangular Connector W / Diode  
JP Rectangular Connector With MOV  
JR Rectangular Connector W / Diode & Light  
JS Rectangular Connector With MOV & Light  
JT Rectangular Connector W / Rectifier  
JU Rectangular Connector W / Rectifier W / Light  
JM Rectangular Connector Male Only (Plain)

(con't)

### Mini Square Plug-In Connectors - 9.4 mm Spacing Between Pins

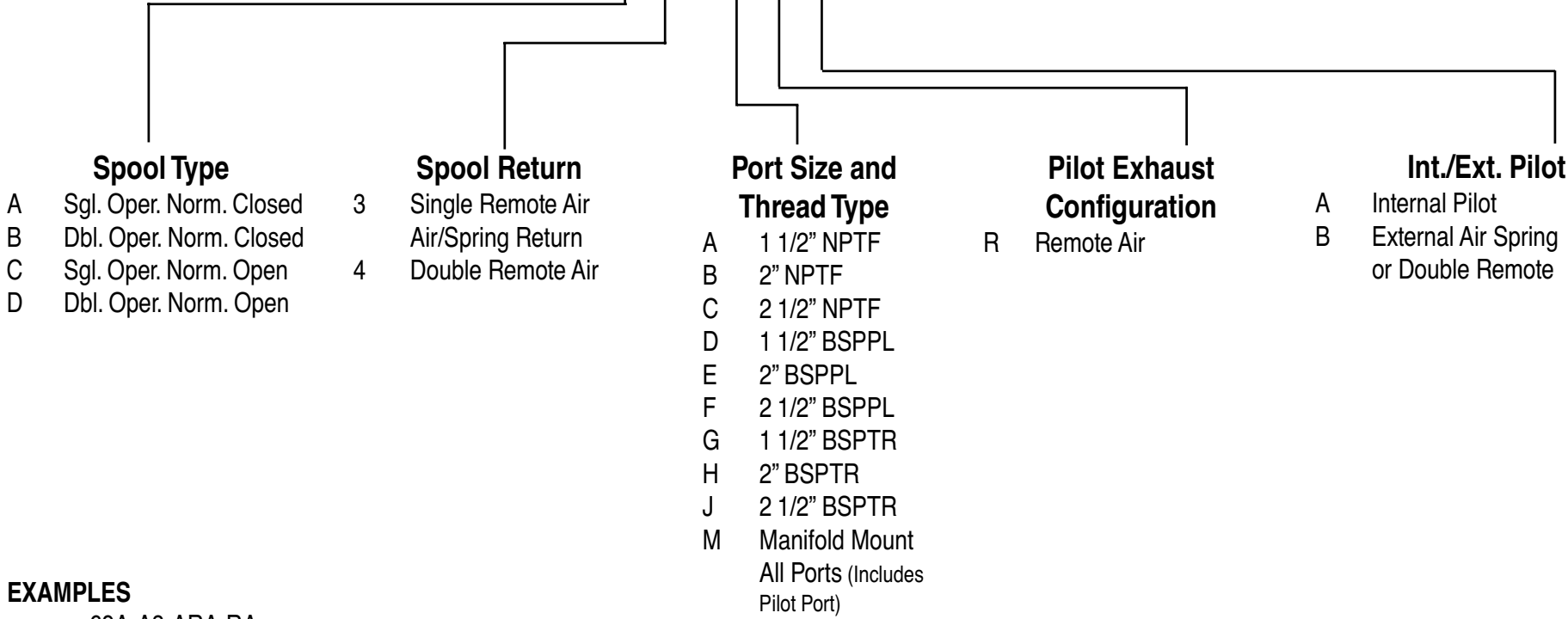
KA Mini Plug-In  
KB Mini Plug-In With Diode  
KC Mini Plug-In With MOV  
KD Mini Plug-In With Light  
KE Mini Plug-In With Diode & Light  
KF Mini Plug-In With MOV & Light  
KG Mini Plug-In With Rectifier  
KH Mini Plug-In With Rectifier & Light  
KJ Mini Plug-In With - Male Only  
KK Mini Plug-In With Diode - Male Only  
KL Mini Plug-In With MOV - Male Only  
KM Mini Plug-In With Light - Male Only  
KN Mini Plug-In With Diode & Light - Male Only  
KP Mini Plug-In With MOV & Light - Male Only  
KR Mini Plug-In With Rectifier - Male Only  
KS Mini Plug-In With Rectifier & Light - Male Only

### Mini Square Plug-In Connectors - 8.0 mm Spacing Between Pins ISO Specifications 15217

LA Mini Plug-In  
LB Mini Plug-In With Diode  
LC Mini Plug-In With MOV  
LD Mini Plug-In With Light  
LE Mini Plug-In With Diode & Light  
LF Mini Plug-In With MOV & Light  
LG Mini Plug-In With Rectifier  
LH Mini Plug-In With Rectifier & Light  
LJ Mini Plug-In With - Male Only  
LK Mini Plug-In With Diode - Male Only  
LL Mini Plug-In With MOV - Male Only  
LM Mini Plug-In With Light - Male Only  
LN Mini Plug-In With Diode & Light - Male Only  
LP Mini Plug-In With MOV & Light - Male Only  
LR Mini Plug-In With Rectifier - Male Only  
LS Mini Plug-In With Rectifier & Light - Male Only

# How To Order 69 Series (Remote Air)

**69A - X X - X X X - RE** - Single Remote Air w/External Air Spring Return  
**- RA** - Single Remote Air w/ Internal Air Spring Return or Double Remote Air



Spool Type	
A	Sgl. Oper. Norm. Closed
B	Dbl. Oper. Norm. Closed
C	Sgl. Oper. Norm. Open
D	Dbl. Oper. Norm. Open

Spool Return	
3	Single Remote Air Air/Spring Return
4	Double Remote Air

Port Size and Thread Type	
A	1 1/2" NPTF
B	2" NPTF
C	2 1/2" NPTF
D	1 1/2" BSPPL
E	2" BSPPL
F	2 1/2" BSPPL
G	1 1/2" BSPTR
H	2" BSPTR
J	2 1/2" BSPTR
M	Manifold Mount
All Ports (Includes Pilot Port)	

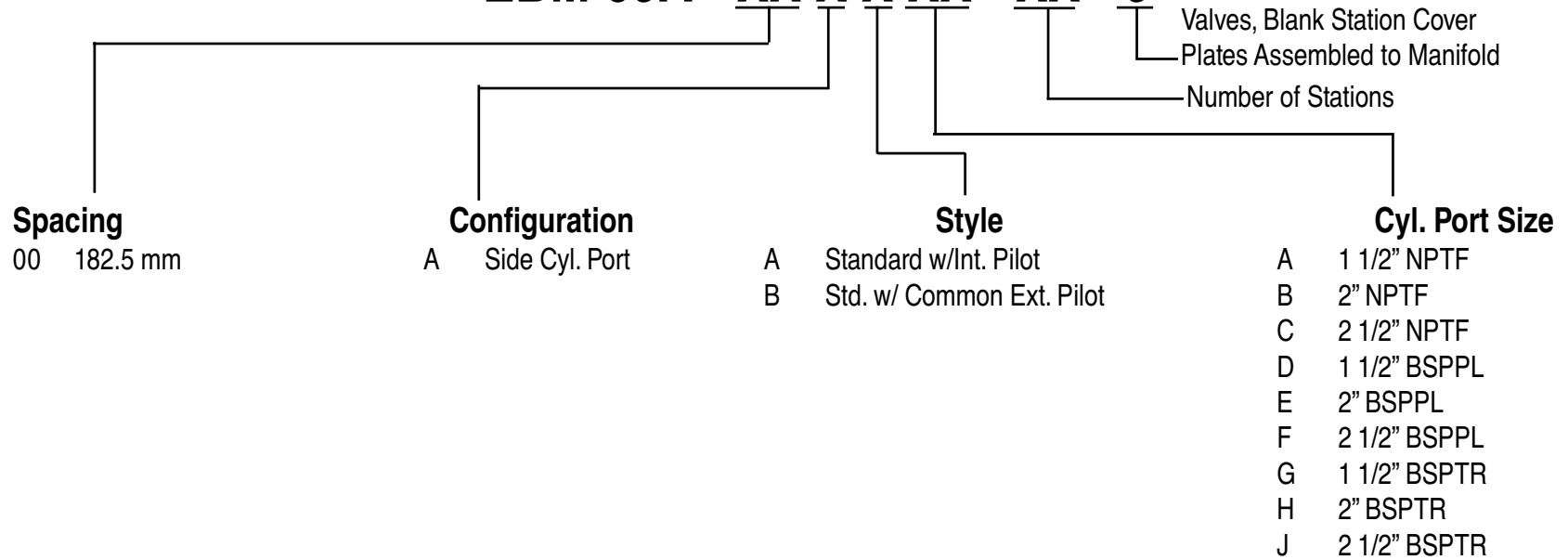
Pilot Exhaust Configuration	
R	Remote Air

Int./Ext. Pilot	
A	Internal Pilot
B	External Air Spring or Double Remote

**EXAMPLES**  
 69A-A3-ARA-RA  
 69A-A3-ARB-RE  
 69A-B4-ARB-RA

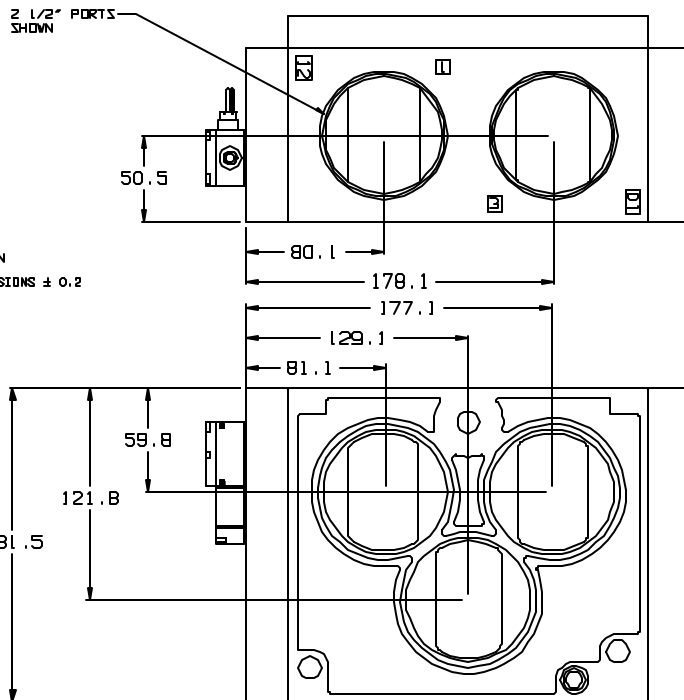
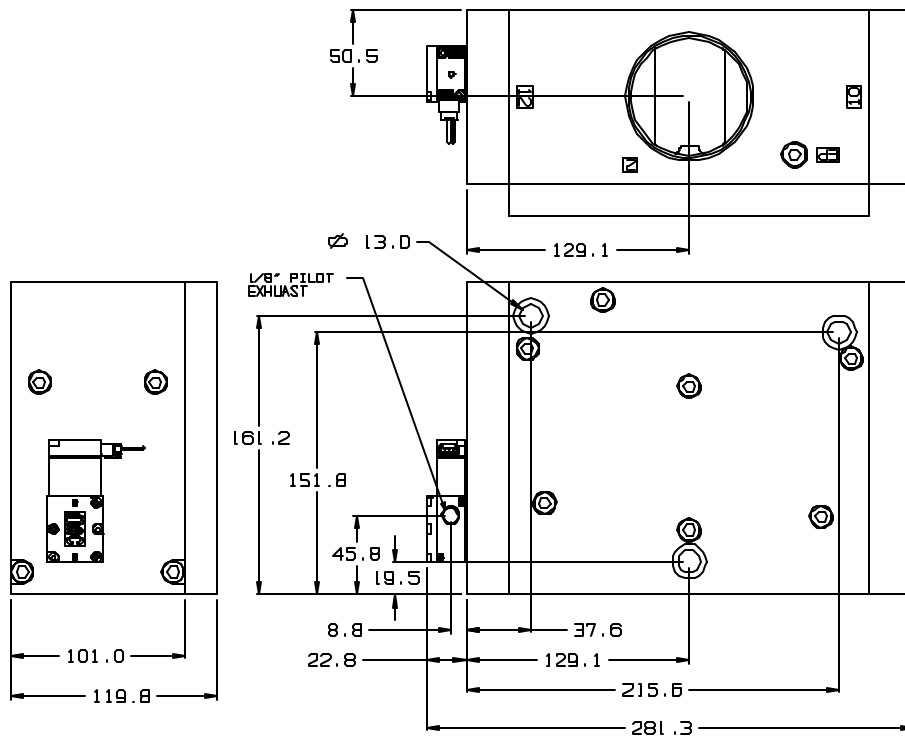
# How To Order Circuit Bar for 69 Series

**EBM 69A - XX X X XX - XX - 9**

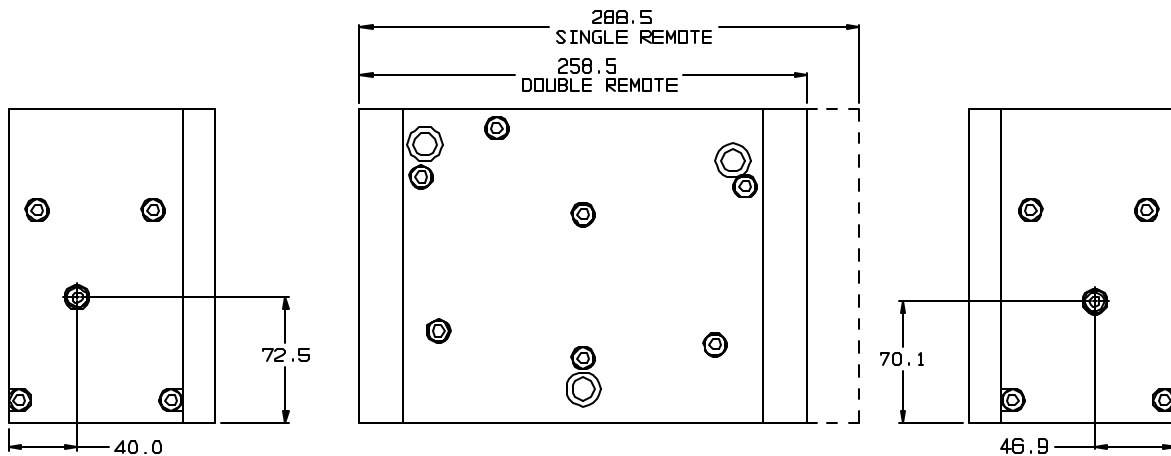


Common through ports are 2 1/2"

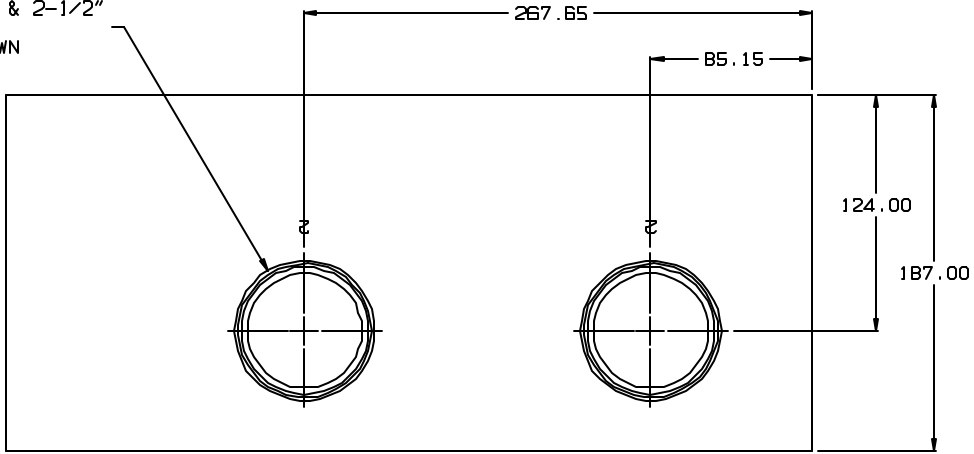
# 69 SERIES INLINE



NOTE:  
 -ALL DIMENSIONS SHOWN  
 ARE IN MILLIMETERS  
 -TOLERANCES ON DIMENSIONS ± 0.2

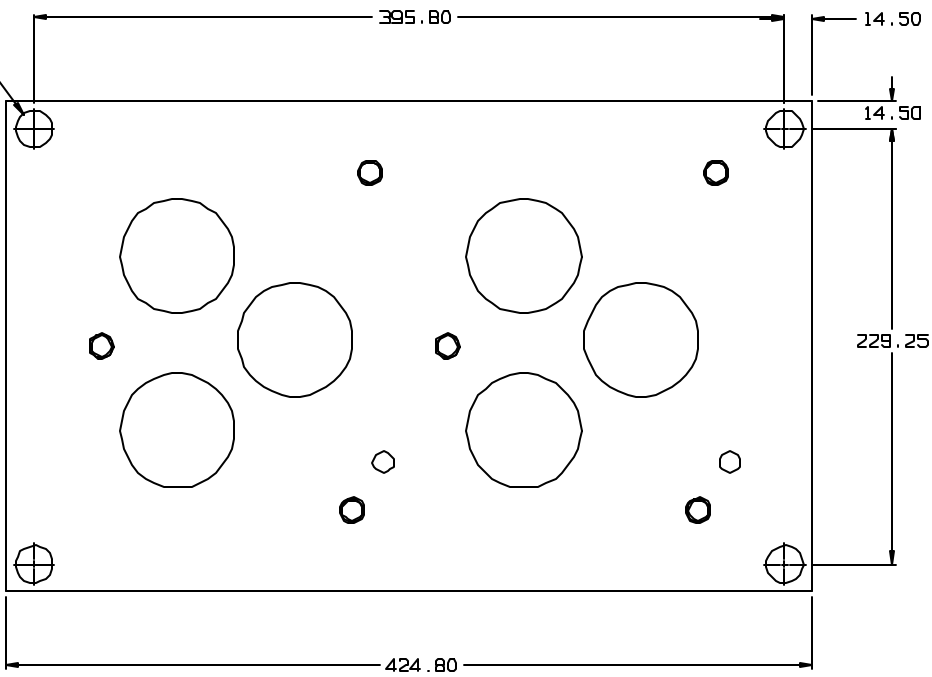


1-1/2", 2" & 2-1/2"  
CYL. PORTS  
2-1/2" SHOWN



### 69 SERIES CIRCUIT BAR ( 2 ) STATION

19.5 DIA. MOUNTING HOLES  
TYP. ( 4 )



2-1/2" COMMONS

