

Individual mounting

Inline

Series

34

36

32

37

38

52

67

44

46

42

47

48

400

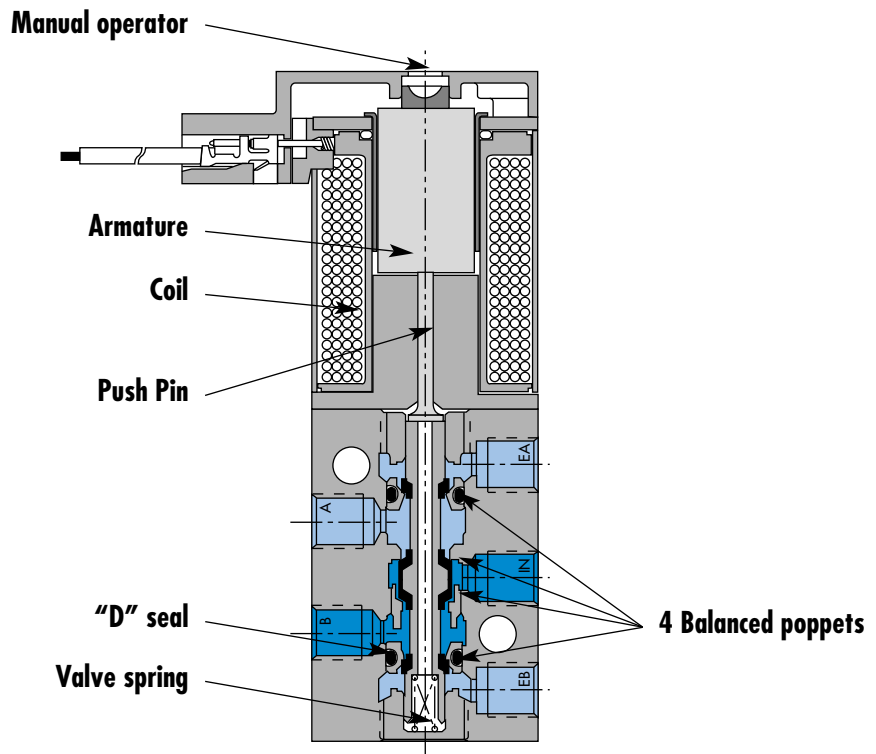
92

93

ISO 1

ISO 2

ISO 3



SERIES FEATURES

- High force MACSOLENOID[®].
- 10mm direct operated.
- # 10-32 or M5 ports.
- Rated for lubricated or non-lubricated service.



Direct solenoid and solenoid pilot operated valves

Function	Port size	Flow [Max]	Individual Mounting	Series
5/2	M5, # 10-32	0.1 C_v	Inline	

OPERATIONAL BENEFITS

1. 10 mm valve, direct solenoid operated.
2. Balanced poppet, immune to variations of pressure.
3. Short stroke with high flow.
4. The patented solenoid develops high shifting forces.
5. Powerful return spring.
6. Flow is specifically adjusted on each valve.
7. Manual operator standard on all valves.



HOW TO ORDER

Port size	Universal valve	For use with external flow controls
M5	44B-ABA-G XXX-XXX	44B-BBA-G XXX-XXX
# 10-32	44B-AAA-G XXX-XXX	44B-BAA-G XXX-XXX

SOLENOID OPERATOR >

G **XXX-XXX***

XX	Voltage	X	Wire length	X	Manual operator	XX	Electrical connection
DA	24 VDC (1.0W)	A	18"	1	Non-locking recessed	KA	Plug-in wire assy.
DC	24 VDC (1.8W)	B	24"	2	Locking recessed	KT	Plug-in wire assy. with light
DD	24 VDC (2.5W)					BA	Flying leads
DF	24 VDC (4.0W)					BT	Flying leads with light

* Click here for other options available.

LATCHING SOLENOID >

L **XXX-XXX***

XX	Voltage	X	Wire length	X	Manual operator	XX	Electrical connection
DF	24 VDC (4.0W)	A	18"	0	No operator	BA	2 Wire flying leads
HA	24 VDC (1.95W)	B	24"			BJ	4 Wire flying leads
		C	36"			KA	2 Wire plug-in assembly
						KE	4 Wire plug-in assembly
						LA	3 Wire plug-in assembly (Polarity switching cover)

* Click here for other options available.

34
36
32
37
38
52
67
44
46
42
47
48
400
92
93
ISO 1
ISO 2
ISO 3

TECHNICAL DATA

Fluid :	Compressed air, vacuum, inert gases
Pressure range :	Vacuum to 120 PSI
Lubrication :	Not required, if used select a medium aniline point lubricant (between 180°F and 210°F)
Filtration :	40 μ
Temperature range :	0°F to 120°F (-18°C to +50°C)
Flow :	4 W : (0.10 C _v) – 2.5 W : (0.08 C _v) – 1.8 W : (0.06 C _v) – 1.0W : (0.05 C _v)
Coil :	Class A wire (#22 AWG x 18), continuous duty
Voltage range :	-15% to +10% of nominal voltage
Power :	4 W – 2.5 W – 1.8 W – 1.0 W
Response times : (with 4 W coil)	Energize : 3.4 ms De-energize : 1.5 ms

Note : • Valve and coil are not interchangeable.

DIMENSIONS

Dimensions shown are metric (mm)

