



R e m o t e a i r v a l v e s

Function	Port size	Flow [Max]	Individual mounting	Series
5/2 - 5/3	1/8" - 1/4"	1.0 C_v	Inline	

OPERATIONAL BENEFITS

1. Balanced spool, immune to variations of pressure, also provides high flow.
2. Bonded spool with minimum friction, shifting in a glass-like finished bore.
3. Wiping effect eliminates sticking.
4. Long service life.
5. Short stroke with high flow.



400

67

ISO 2

ISO 3

HOW TO ORDER

SINGLE PRESSURE VALVES

Pilot air	5/2 Single operator	5/2 Double operator	5/3 Closed center	5/3 Open center	5/3 Pressure center
1/8" NPTF	411A-AOH-RA Mod 1493	421A-AOH-RA	451A-AOH-RA	461A-AOH-RA	471A-AOH-RA
1/4" NPTF	411A-BOH-RA Mod 1493	421A-BOH-RA	451A-BOH-RA	461A-BOH-RA	471A-BOH-RA

DUAL PRESSURE VALVES

Port size	5/2 Double operator
1/8" NPTF	441A-AOH-RA
1/4" NPTF	441A-BOH-RA



100%
OF
PRODUCTION
TESTED
100%

WARRANTY
18
MONTHS

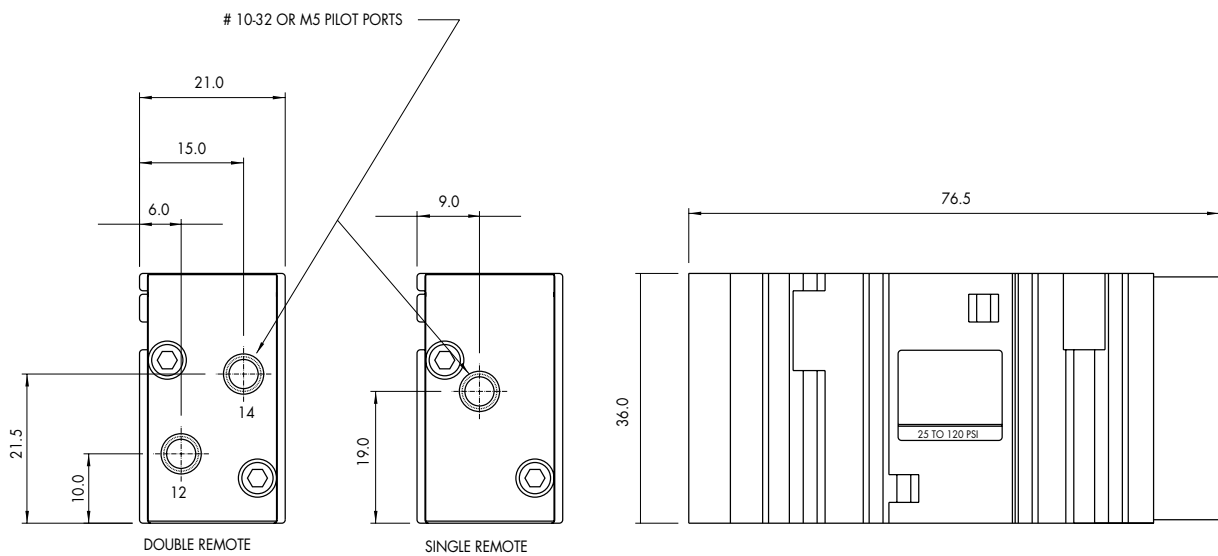
TECHNICAL DATA

Fluid :	Compressed air, vacuum, inert gases
Pressure range :	Single operator: vacuum to 100 PSI Double operator: vacuum to 150 PSI
Air signal pressure :	Single oper.: 40 to 150 PSI Double oper., 2 pos.: 20 to 150 PSI, 3 pos.: 35 to 150 PSI
Lubrication :	Not required, if used select a medium aniline point lubricant (between 180°F and 210°F)
Filtration :	40 μ
Temperature range :	0°F to 120°F (-18°C to 50°C)
Flow :	1.0 C _v
Note :	Air signal must be \geq main valve pressure

Option : • BSPP threads

DIMENSIONS

Dimensions shown are metric (mm)



Consult "Precautions" before use, installation or service of MAC Valves.