

Individual mounting

Inline	Sub-base non plug-in
--------	----------------------

Series

34

36

32

37

38

52

67

44

46

42

47

48

400

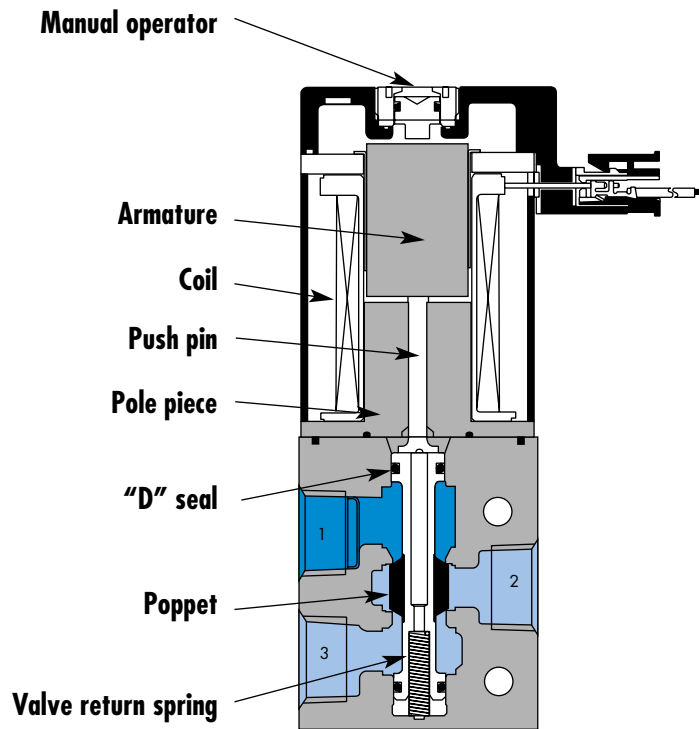
92

93

ISO 1

ISO 2

ISO 3



SERIES FEATURES

- Balanced poppet equals consistent high shifting forces.
- Valve shifting forces are consistent and independent of pressure fluctuations.
- High solenoid and return spring forces ensure high speed and precise repeatability.
- Built-in wear compensation - valve stroke is shorter than solenoid stroke.
- Constant high flow maintained throughout the pressure range.
- Exhaust contaminants are isolated from the solenoid.
- Full flow exhaust.
- Universal porting - 6 functions in one valve.

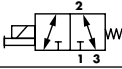
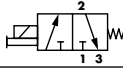
Function	Port size	Flow (Max)	Individual mounting	Series
3/2 NO-NC	1/8" - 1/4"	0.5 C_v	Inline	

OPERATIONAL BENEFITS

- Balanced poppet equals consistent high shifting forces.
- Valve shifting forces are consistent and independent of pressure fluctuations.
- High solenoid and return spring forces ensure high speed and precise repeatability.
- Built-in wear compensation – valve stroke is shorter than solenoid stroke.
- Constant high flow maintained throughout the pressure range.
- Exhaust contaminants are isolated from the solenoid.
- Full flow exhaust.
- Universal porting – 6 functions in one valve.



HOW TO ORDER

Port size	Universal valve	NC only valve
		
1/8" NPTF	37A-AA0-H xxx-xxx	37A-BA0-H xxx-xxx
1/4" NPTF	37A-AB0-H xxx-xxx	37A-BB0-H xxx-xxx

SOLENOID OPERATOR >

H **xxx-xxx***

XX	Voltage	X	Wire length	X	Manual operator	XX	Electrical connection**
AA	120 VAC (6.7W)	A	18"	1	Non-locking recessed	MA	Plug-in wire assembly
DA	24 VDC (5.2W)	B	24"	2	Locking recessed	MC	Plug-in wire assembly with light
DB	24 VDC (2.4W)					BA	Flying leads
DC	24 VDC (1.8W)					BC	Flying leads with light
						MT	Plug-in wire assembly with rectifier & light

Note : AC voltage requires connector with rectifier.

* Click here for other options available.

34

36

32

37

38

52

67

44

46

42

47

48

400

92

93

ISO 1

ISO 2

ISO 3

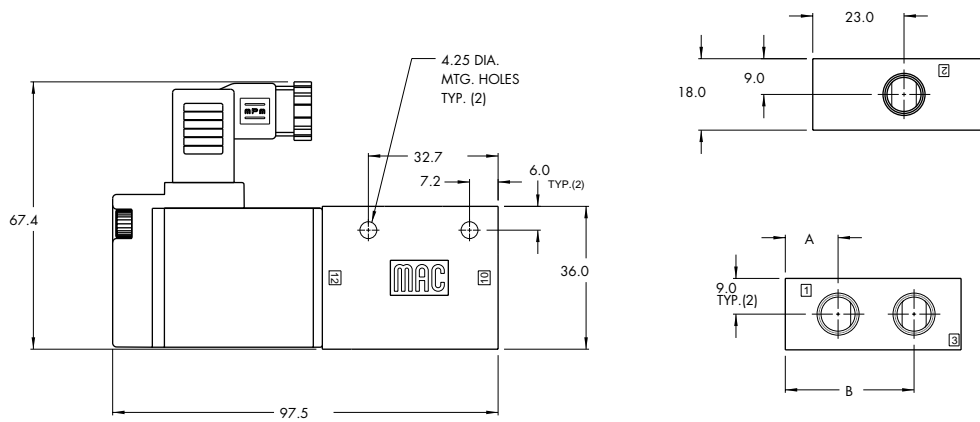
TECHNICAL DATA

Fluid :	Compressed air, vacuum, inert gases
Pressure range :	Vacuum to 120 PSI
Lubrication :	Not required, if used select a medium aniline point lubricant (between 180°F and 210°F)
Filtration :	40 μ
Temperature range :	0°F to 120°F (-18°C to +50°C)
Flow :	5.2 W : (0.5 C _v) – 2.4 W : (0.35 C _v)
Coil :	Class A wire (#22 AWG x 18), continuous duty
Voltage range :	-15% to +10% of nominal voltage
Power :	5.2 W – 2.4 W
Response times : (with 5.2 W coil)	Energize : 16.9 ms De-energize : 6.7 ms

Options : • BSPP ports

DIMENSIONS

Dimensions shown are metric (mm)



Shown with Mini Square Connector ("K" Type)

Dim	A	B
1/8"	13.3	32.45
1/4"	14.7	33.7