



# R e m o t e a i r v a l v e s

Function	Port size	Flow (Max)	Individual mounting
3/2 NO-NC, 2/2 NO-NC	1/8" - 1/4"	0.18 C <sub>v</sub>	Inline

### OPERATIONAL BENEFITS

1. Balanced poppet, immune to variations of pressure.
2. Short stroke with high flow.
3. Powerful return spring.
4. Maximum shifting forces.



### HOW TO ORDER

Port size	Universal valve	NC only valve
1/8" NPTF	1111A-111	1161A-111
1/4" NPTF	1113A-111	1163A-111

Air pilot port : 1/8" NPTF.

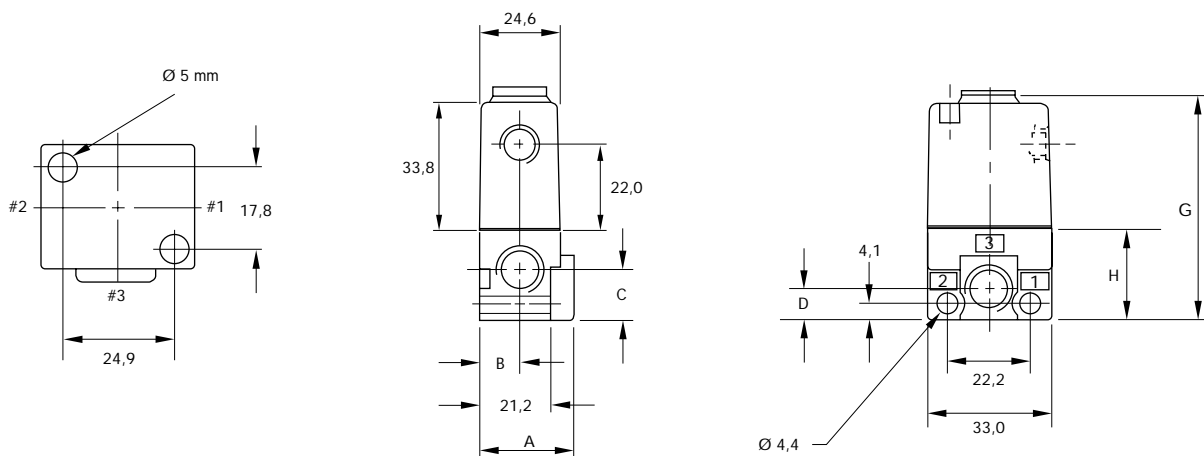
**TECHNICAL DATA**

Fluid :	Compressed air, vacuum, inert gases
Pressure range :	Vacuum to 150 PSI
Air signal pressure :	20 PSI
Lubrication :	Not required, if used select a medium aniline point lubricant (between 180°F to 210°F)
Filtration :	40 μ
Temperature range :	0°F to 140°F (-18°C to 60°C)
Flow (at 6 bar, ΔP=1bar) :	0.18 C <sub>v</sub>
Leak rate :	50 cm <sup>3</sup> /min

Options : • BSPP threads.

**DIMENSIONS**

Dimensions shown are metric (mm)



Port size	A	B	C	D	G	H
1/8"	28.4	12.7	14.0	8.0	60.1	23.2
1/4"	29.8	13.3	12.7	9.9	60.9	24.1