

Individual mounting

Series

Inline

Manifold mounting

sub-base

**1100**

**1800**

Function	Port size	Flow [Max]	Individual mounting	Series
<b>3/2 NO-NC, 2/2 NO-NC</b>	<b>1/8" - 1/4"</b>	<b>0.18 C<sub>v</sub></b>	Inline	

**OPERATIONAL BENEFITS**

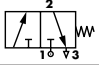
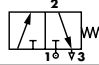
1. Short stroke with high flow.
2. Powerful return spring.



**1100**

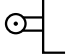
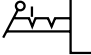
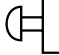
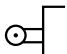

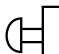
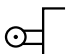

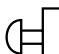
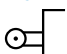

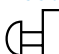
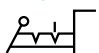
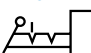
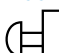



**1800**

**HOW TO ORDER**

Port size	Universal valve	NC only valve
		
<b>1/8" NPTF</b>	1111A- <b>XXX</b>	1161A- <b>XXX</b>
<b>1/4" NPTF</b>	1113A- <b>XXX</b>	1163A- <b>XXX</b>

MECHANICAL OPERATOR >

**XXX**

Code	Description	Code	Description	Code	Description
<b>011</b>	Cam roller parallel to ports 1 & 2 	<b>023</b>	Lever locking pull perpendicular to ports 1 & 2 	<b>031</b>	Push button 
<b>012</b>	Cam roller perpendicular to ports 1 & 2 	<b>024</b>	Lever non-locking pull perpendicular to ports 1 & 2 	<b>032</b>	Push button (panel mounting) 
<b>013</b>	Lever cam perpendicular to ports 1 & 2 	<b>025</b>	Lever locking push parallel to ports 1 & 2 	<b>033</b>	Push button with guard 
<b>014</b>	Lever cam parallel to ports 1 & 2 	<b>026</b>	Lever non-locking push parallel to ports 1 & 2 	<b>036</b>	Palm button 
<b>021</b>	Lever locking push perpendicular to ports 1 & 2 	<b>027</b>	Lever locking pull parallel to ports 1 & 2 	<b>037</b>	Palm button (panel mounting) 
<b>022</b>	Lever non-locking push perpendicular to ports 1 & 2 	<b>028</b>	Lever non-locking pull parallel to ports 1 & 2 	<b>038</b>	Palm button with guard 

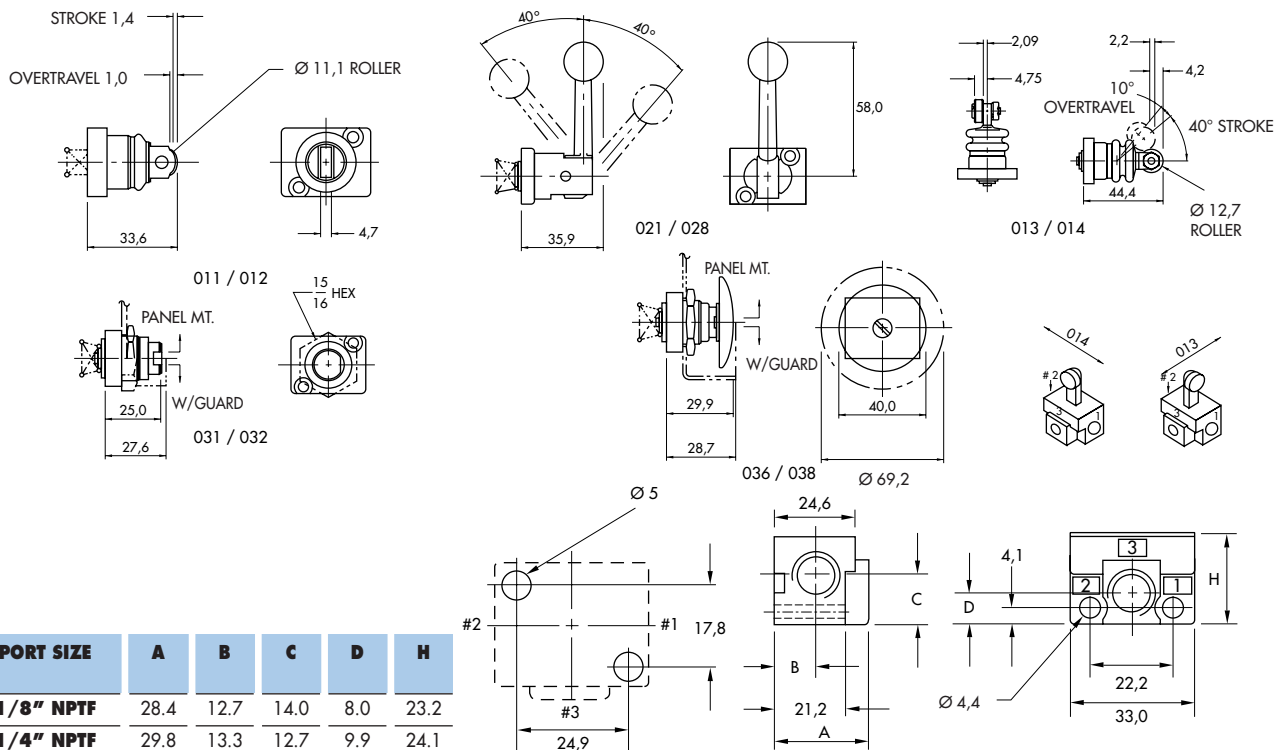
**TECHNICAL DATA**

<b>Fluid :</b>	Compressed air, vacuum, inert gases
<b>Pressure range :</b>	Vacuum to 150 PSI
<b>Lubrication :</b>	Not required, if used select a medium aniline point lubricant (between 180°F to 210°F)
<b>Filtration :</b>	40 μ
<b>Temperature range :</b>	0°F to 120°F (-18°C to 50°C)
<b>Flow (at 6 bar, ΔP=1bar) :</b>	1/8" - 1/4" : (0.18-C <sub>v</sub> )
<b>Leak rate :</b>	50 cm <sup>3</sup> /min

- Spare parts : • Operator : 1100A-XXX (see codification).
- Options : • BSPP threads.

**DIMENSIONS**

Dimensions shown are metric (mm)



Function	Port size	Flow (Max)	Manifold mounting	Series
<b>3/2 NO-NC, 2/2 NO-NC</b>	<b>1/8"</b>	<b>0.14 C<sub>v</sub></b>	sub-base	



**OPERATIONAL BENEFITS**

1. Short stroke with high flow.
2. Powerful return spring.



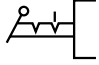
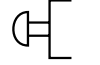
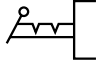
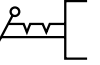
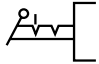
**1100**  
**1800**

**HOW TO ORDER**

Port size	Universal valve	NC only valve
		
<b>Valve less base</b>	1130A- <b>XXX</b>	1170A- <b>XXX</b>
<b>Sub-base 1/8" NPTF</b>	1132A- <b>XXX</b>	1172A- <b>XXX</b>

MECHANICAL OPERATOR >

**XXX**

Code	Description	Code	Description
<b>025</b>	Lever locking push parallel to ports 1 & 2 	<b>031</b>	Push button 
<b>026</b>	Lever non-locking push parallel to ports 1 & 2 	<b>028</b>	Lever non-locking pull parallel to ports 1 & 2 
<b>027</b>	Lever locking pull parallel to ports 1 & 2 		

End plate kit (Port size 1/4" NPTF) : A2-5004-01.

**TECHNICAL DATA**

<b>Fluid :</b>	Compressed air, vacuum, inert gases
<b>Pressure range :</b>	Vacuum to 150 PSI
<b>Lubrication :</b>	Not required, if used select a medium aniline point lubricant (between 180°F to 210°F)
<b>Filtration :</b>	40 μ
<b>Temperature range :</b>	0°F to 120°F (-18°C to 50°C)
<b>Flow (at 6 bar, ΔP=1bar) :</b>	1/8" : (0.14-C <sub>v</sub> )
<b>Leak rate :</b>	50 cm <sup>3</sup> /min

Spare parts : • Operator : 1100A-XXX (see codification). • Function plate : A2-7009. • Pressure seal between bases : 16226.  
• Tie-rod (x2) : 19546.

Options : • BSPP threads.

**DIMENSIONS**

Dimensions shown are metric (mm)

