



# Slip Sheet Puller

ML# 307794



## BENEFITS

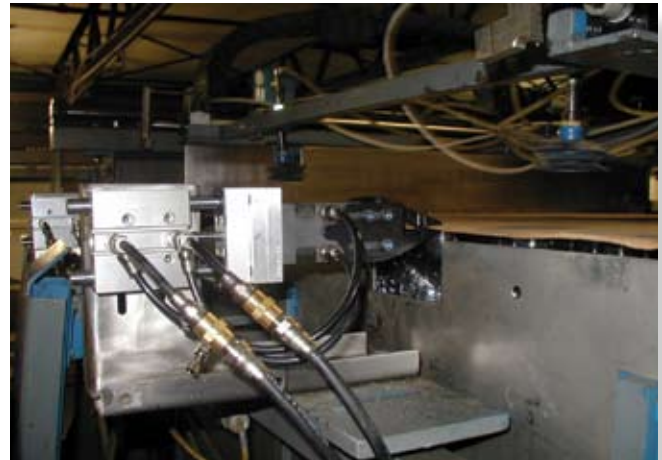
- Modular assembly consisting of a GRM2TN-2-22-22 Clamp, a SBL120x1 Slide, and one quick turnaround ML# 306494 transition plate ensuring quick delivery
- The combination of clamp and slide is a robust design, providing long life
- The clamp provides a wide opening so slip sheets are not missed and positive lock in the last six degrees of travel to firmly hold the slip sheet
- The SBL120x1 Slide provides a rugged and rigid support mechanism utilizing two bushings and stout guide shafts for maximum load carrying capability
- Modular design for quick installation and easy maintenance
- Increased production and lower maintenance costs are achieved
- Factory rebuild available which features a new part warranty from date of rebuild
- Local/Worldwide MDN network sales, service, and support
- PHD's 50 years of pneumatic actuator experience

## Application

The depalletizing device is used to remove containers as received on pallets and transfer them to an accumulating table where they are singulated before proceeding to the filler. Between each row of containers is a slip sheet to separate the layers. The gripper holds onto the slip sheet while the tier of containers is swept off the pallet.

## Challenges

The customer typically uses an assembly supplied by the equipment OEM that is a fabricated gripper driven by a disposable cylinder. The mechanism has several wear points and becomes a maintenance problem allowing for potential downtime.



## Solution

The PHD solution is a modular assembly, ML# 307794, consisting of a GRM2TN-2-22-22 Clamp, ML# 306494 transition plate, and an SBL120x1 Slide. The clamp provides high clamping forces and a positive lock when closed to firmly hold the sheet in place. The transition plate makes a complete modular assembly for easy installation, saving time. The slide provides a rugged and rigid support mechanism utilizing two bushings and stout guide shafts for maximum load carrying capability. All products are readily available with PHD's industry leading delivery.

## Results

PHD has a more robust and effective design that combines the proven technology of the Series GRM Clamp to positively hold the sheet with the Series SxL Slide to accomplish the reaching action. Our solution is easier to maintain and lasts significantly longer than the fabricated assembly.

© Copyright 2007, by PHD, Inc. All Rights Reserved. Printed in the U.S.A.

CP307794<sup>A</sup>



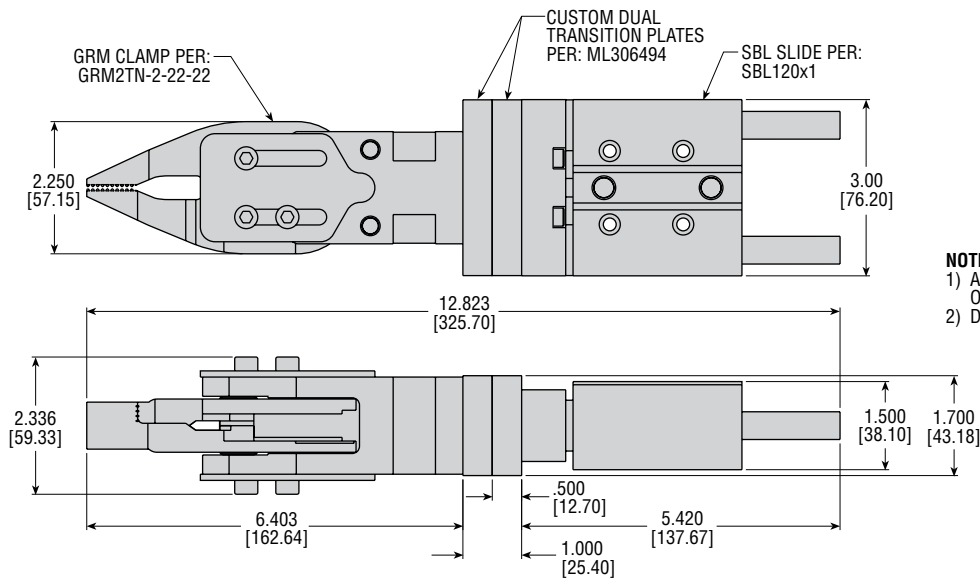
PHD is a member of the  
MAC Distributor Network



PHD, Inc. • P.O. Box 9070 • Fort Wayne, IN 46899 • (260) 747-6151 • FAX (260) 747-6754  
www.phdinc.com • phdinfo@phdinc.com

# DIMENSIONS: SLIP SHEET PULLER

ML#307794



CP307794<sup>A</sup>

PHD, Inc.  
9009 Clubridge Drive  
P.O. Box 9070, Fort Wayne, Indiana 46899 U.S.A.  
Phone (260) 747-6151 • Fax (260) 747-6754  
www.phdinc.com • phdinfo@phdinc.com

PHDinEurope GmbH  
Arnold-Sommerfeld-Ring 2  
52499 Baesweiler, Germany  
Tel. +49 (0)2401 805 230 • Fax +49 (0)2401 805 232  
www.phdinc.com • info@PHDinEurope.de

1M-I 12/07 7468