



PLASTIC PACKAGING SOLUTION

Slip Sheet Clamps C5091 & ML#307794

BENEFITS

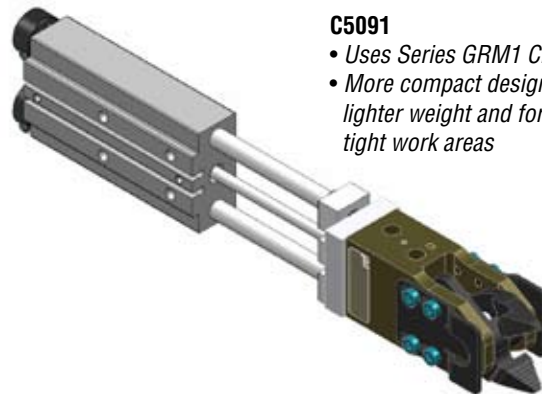
- Modular assembly consisting of a GRM Clamp, an SBx Slide, and one transition plate
- The combination of clamp and slide is a robust design, providing long life
- The clamp provides a wide opening so slip sheets are not missed and a positive lock in the last six degrees of travel to firmly hold the slip sheet even when air pressure is removed
- The slide provides a rugged and rigid support mechanism utilizing two bushings and stout guide shafts for maximum load carrying capability
- Modular design for quick installation and easy maintenance
- Increased production and reduced maintenance costs are achieved
- Factory rebuild available which features a new part warranty from date of rebuild
- Local/Worldwide MDN network sales, service, and support
- PHD's over 50 years of pneumatic actuator experience

Application

The depalletizing device is used to remove containers as they are received on pallets and transfer them to an accumulating table where they are singulated before proceeding to the filler. Between each row of containers is a slip sheet to separate the layers. The clamp holds onto the slip sheet while the tier of containers is swept off the pallet.

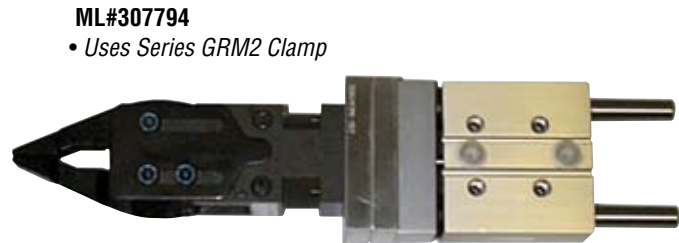
Challenges

The customer typically uses an assembly supplied by the equipment OEM that is a fabricated gripper driven by a disposable cylinder. The mechanism has several wear points and becomes a maintenance problem allowing for potential downtime.



C5091

- Uses Series GRM1 Clamp
- More compact design is lighter weight and for tight work areas



ML#307794

- Uses Series GRM2 Clamp



Solution

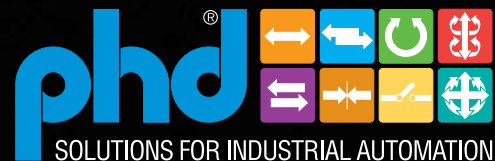
The PHD solution is a modular assembly, consisting of a clamp, transition plate, and a slide. The clamp provides high clamping forces and a positive lock when closed to firmly hold the sheet in place. The transition plate makes a complete modular assembly for easy installation, saving time. The slide provides a more rugged and rigid support mechanism by utilizing two bushings and stout guide shafts for maximum load carrying capability. This solution is easier to maintain and lasts significantly longer than the fabricated assembly. All products are readily available with PHD's industry leading delivery.

© Copyright 2011, by PHD, Inc. All Rights Reserved. Printed in the U.S.A.

CP307794B



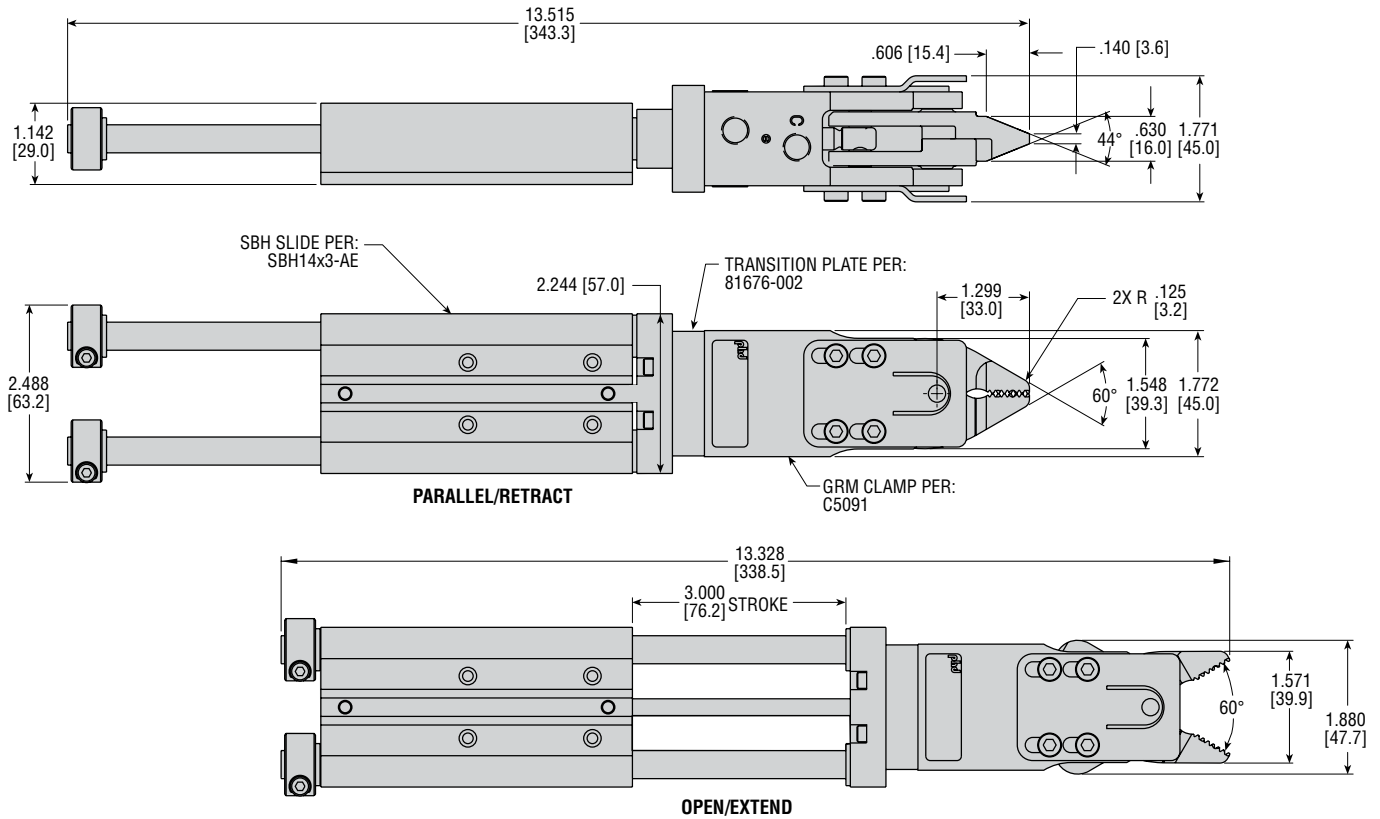
PHD is a member of the
MAC Distributor Network



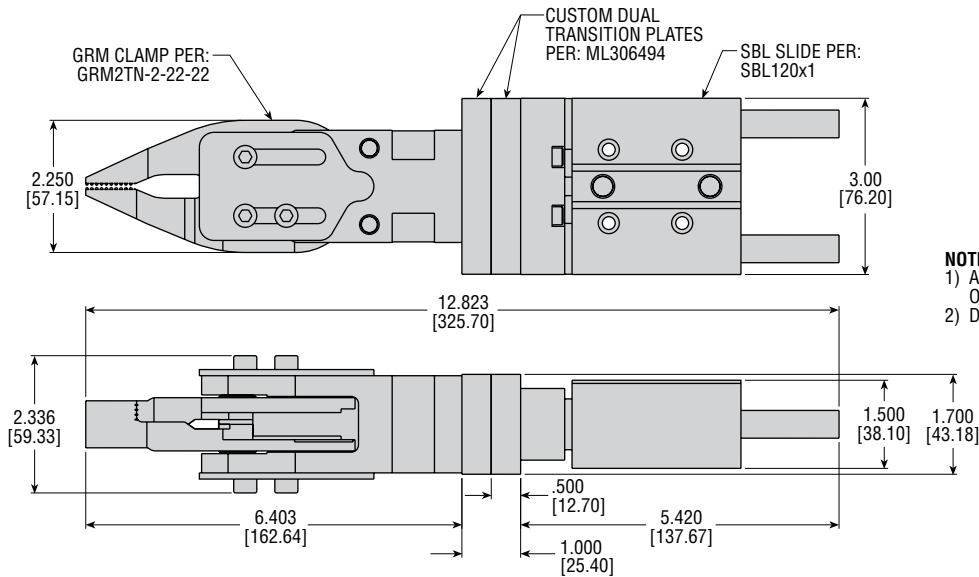
PHD, Inc. • P.O. Box 9070 • Fort Wayne, IN 46899 • (260) 747-6151 • FAX (260) 747-6754
www.phdinc.com • phdinfo@phdinc.com

DIMENSIONS: SLIP SHEET CLAMPS

C5091 (with Series GRM1 Clamp)



ML#307794 (with Series GRM2 Clamp)



- NOTES:**
 1) ALL DIMENSIONS ARE FOR REFERENCE ONLY UNLESS SPECIFICALLY TOLERANCED.
 2) DIMENSIONS IN [] ARE mm.

CP307794B