



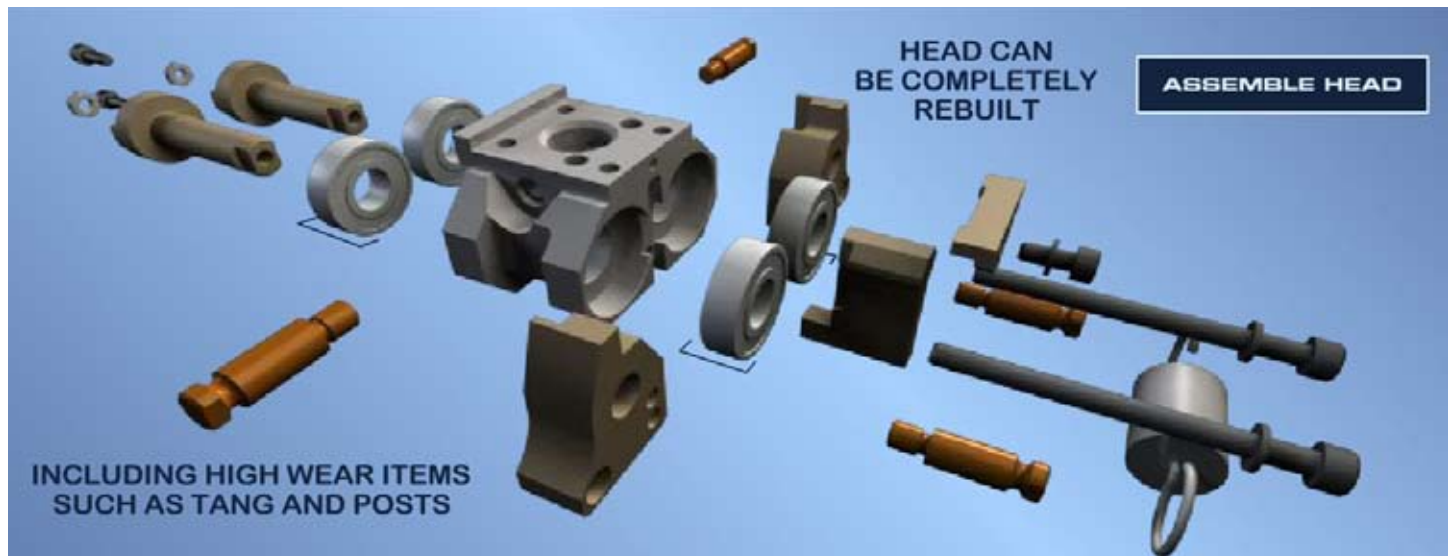
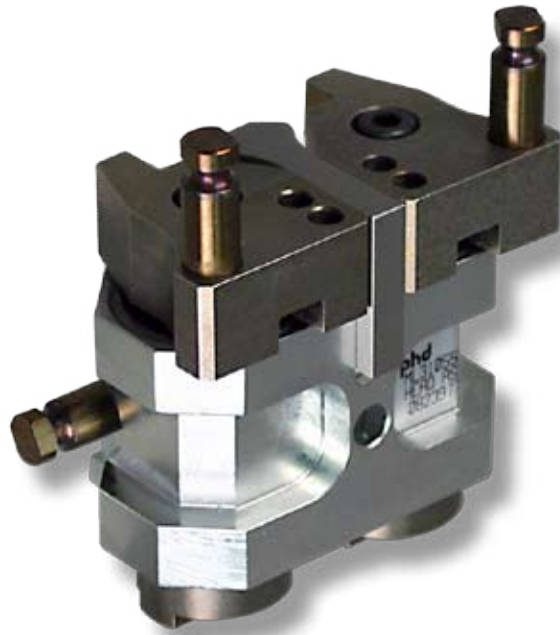
PLASTIC BOTTLE BLOW MOLDING AUTOMATION

Sidel Series2 Transfer Arm Head

82878

BENEFITS

- Drop-in fit for use on existing Sidel Series2 arms.
- PHD head includes replaceable hardened steel tang.
- PHD spring posts are replaceable as they wear. Sidel posts are not replaceable.
- PHD incorporates high quality rolling element bearings for increased life and precision.



© Copyright 2010, by PHD, Inc.

PPC82878



PHD is a member of the
MAC Distributor Network



SOLUTIONS FOR INDUSTRIAL AUTOMATION

PHD, Inc. • P.O. Box 9070 • Fort Wayne, IN 46899 • (260) 747-6151 • FAX (260) 747-6754
www.phdinc.com • phdinfo@phdinc.com