



MAC Solutions for PET blow moulding  
Equipment : **SIDEL Series 1**



# Stretch Rod Cylinder Valve





# MAC Solutions for PET blow moulding Equipment : **SIDEL Series 1**



Original Equipment

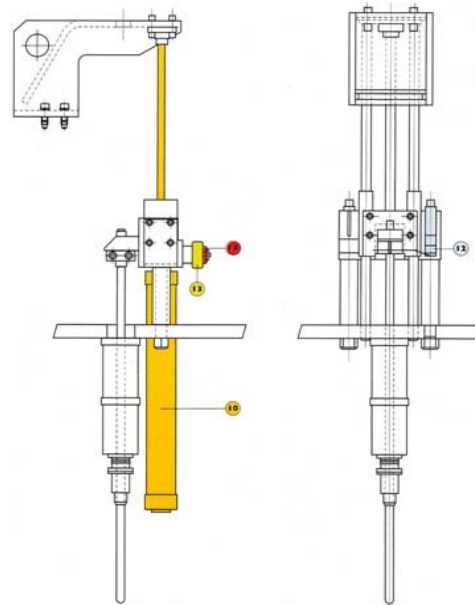
MAC Solution

MAC Benefits

Assembly

## Application

- Solenoid actuates double effect cylinder controlling movement of the cam while the preform is being stretched in the mould.
- Activation of pneumatical operator is made by machine mounted mechanical cam.







# MAC Solutions for PET blow moulding Equipment : **SIDEL Series 1**



Application

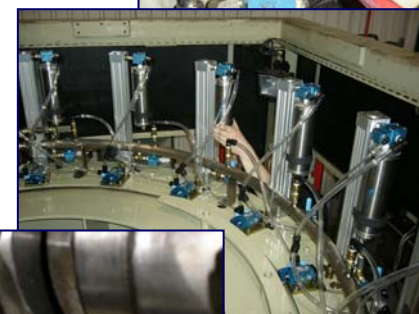
Original Equipement

MAC Benefits

Assembly

## MAC Solution

- Codification:
  - **1: 180001-115-0145 Mod.: 4474**
  - **2: 180145-115-0001 Mod.: EC27**
- Drop In Replacement
- Robust Construction and Reliable Mechanical Lever
- Reliable Return Spring
- Enhanced Lifetime (Approved to 40 Million cycles)
- Flow : 1100 NI/min
- Insensitive to Contamination
- Faster Cylinder Retraction







# MAC Solutions for PET blow moulding Equipment : **SIDEL Series 1**



Application      Original Equipment      MAC Solution      Assembly

## MAC Benefits

Mobile Cylinder => Equal pressure

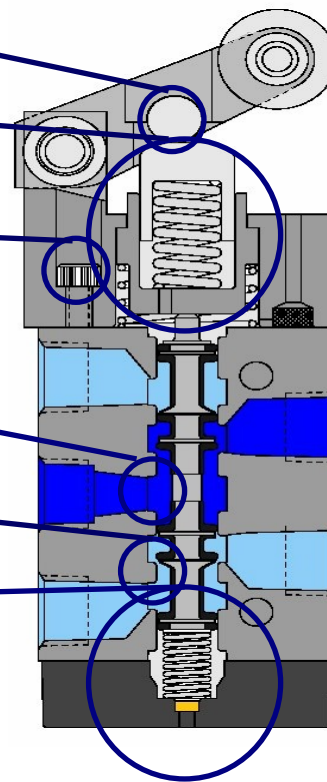
Long over stroke => Double Spring

4 mounting points => Enhanced Stability

Bigger Orifice  
=> Better Flow Capacities

Rubber Coated Spool  
=> Insensitive to Contamination

Rubber Coated Spool  
=> Insensitive to Contamination





# MAC Solutions for PET blow moulding Equipment : **SIDEL Series 1**



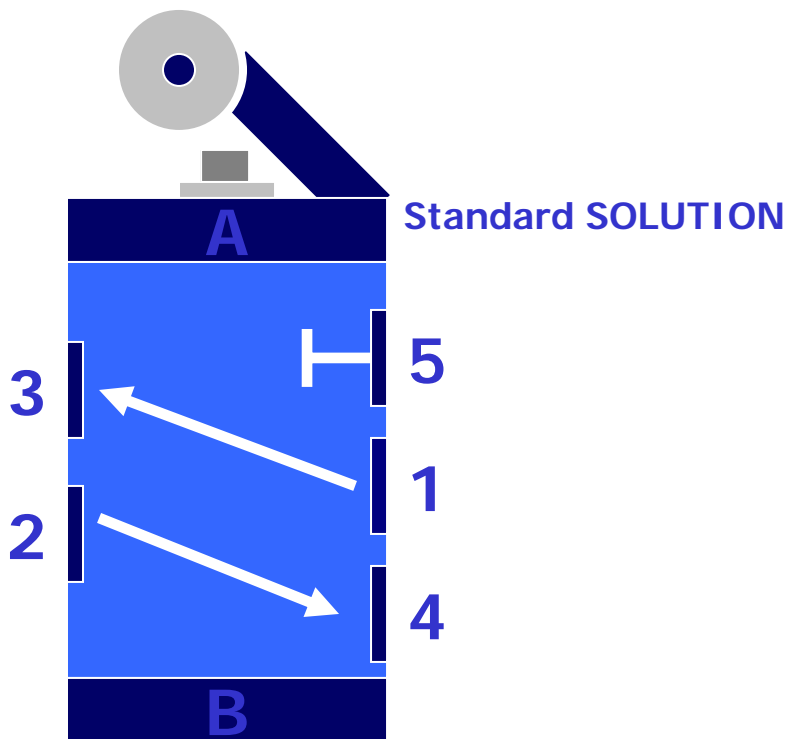
Application

Original Equipment

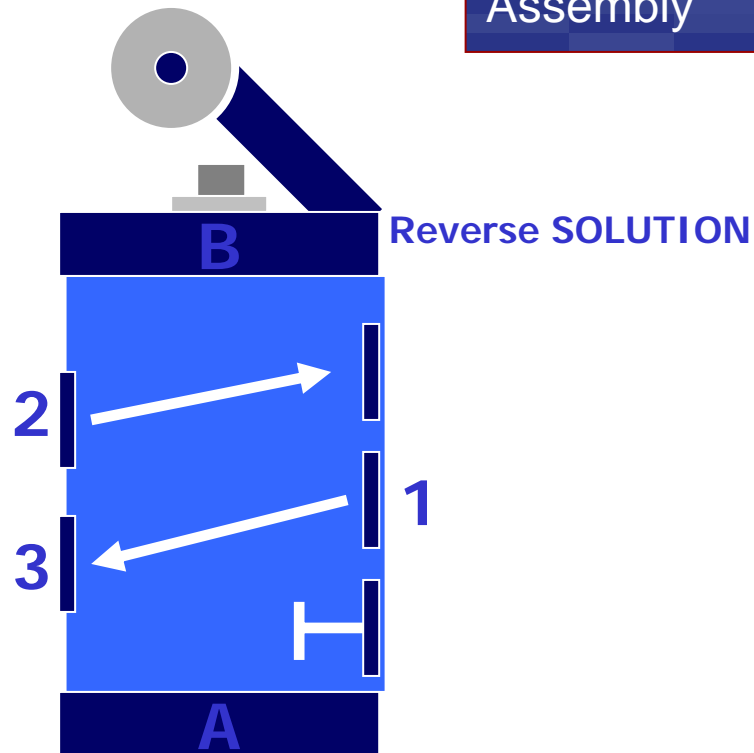
MAC Solution

MAC Benefits

Assembly



180001-115-0144  
Modification 4473



180144-115-0001  
Modification EC27

